



PUMPS AUSTRALIA

BETTER • FASTER • EASIER



## SHALLOW WELL JET PUMP

WITH PRESSURE CONTROLLER

## TECHNICAL DATA

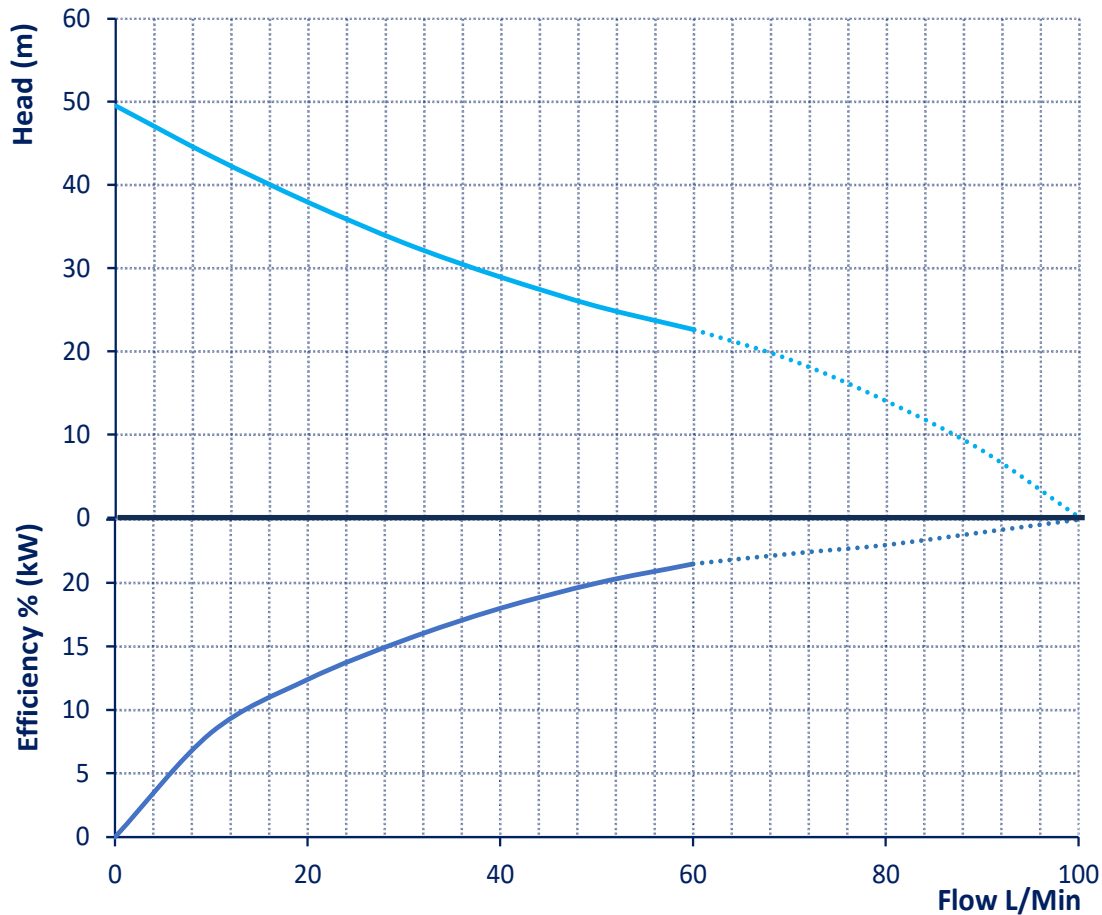
**MODEL:** RSWE60  
**CODE:** 8317.2PC

**MAX HEAD** 49.5M  
**MAX FLOW** 60L/MIN  
**MOTOR POWER** 1040W  
**DISCHARGE** 25MM



# CHARACTERISTIC CURVE & PERFORMANCE DATA

SHALLOW WELL JET PUMP RSWE60



TYPE	Nominal Power (P2)					Input Power (P1)				Input Current (A)	
	W	HP	W								
Single Phase RSWE60	740	1	1040							240V 4.8	

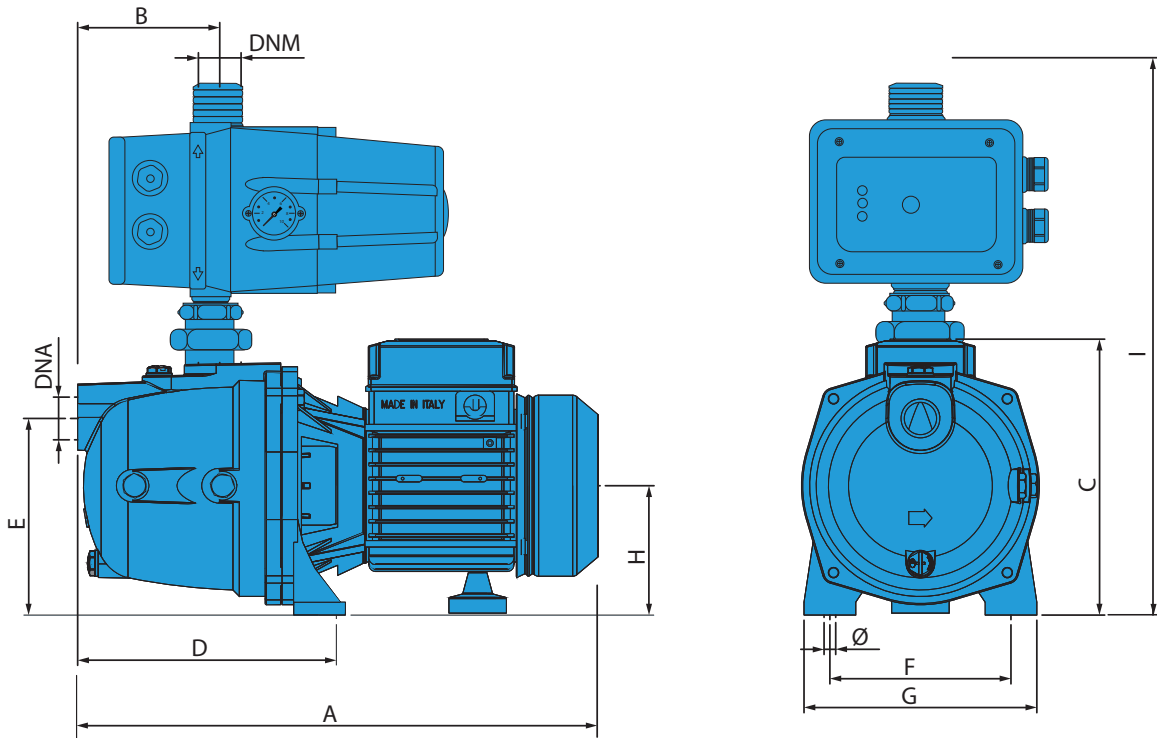
  

L/MIN	0	10	20	30	40	50	60	70	80	90	100
HEAD (M)	49.5	43.4	37.9	33	28.9	25.4	22.6	19	14	8	0
EFFICIENCY %	0	8.2	12.4	15.5	18	20	21.5	22.3	23	24	25

**NOTE:** Efficiency Percentage (%) refers to the percentage of power consumed by the motor during operation. This calculation is taken from the P1 Power.

Ascento Group reserves the right to make changes without prior notice

# DIMENSIONS & WEIGHT



SHALLOW WELL JET PUMP RSWE60

MODEL	DIMENSIONS (MM)												PACKING (MM)			WEIGHT (KG)
	A	B	C	D	E	F	G	Ø	H	I	DNA	DNM	L	W	H	
RSWE60	420	122	210	225	160	140	180	9	95	360	1"	1"	250	190	440	16